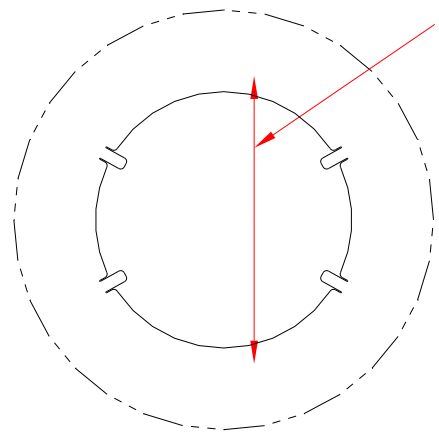


4

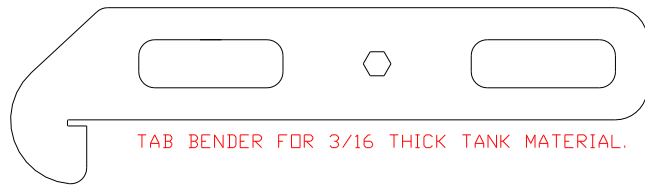
3

2

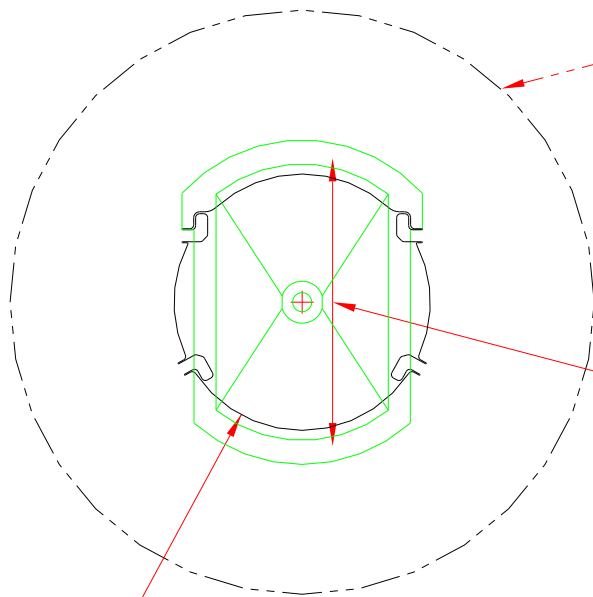
1



COVER ALIGNS IN THIS DIRECTION



TAB BENDER FOR 3/16 THICK TANK MATERIAL.



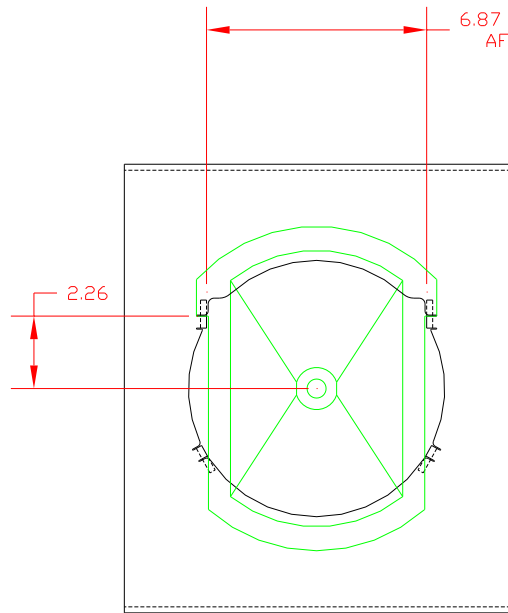
REF TANK OUTER SURFACE

COVER ALIGNS IN THIS DIRECTION BETWEEN TABS, TYPICALL APPLICATION IS UP AND DOWN ON THE TANK FOR GRAVITY ASSIST HOLD OF THE INNER COVER.

R4.00

OPTIONAL QUAD OR TWIN SHORT TAB PATTERN

6.87 BETWEEN TABS AFTER BENDING



2.26

THIS SURFACE INSIDE TANK AS THE TABS ARE BENT INWARD. OUTER SURFACE TO BE FREE FROM SCRATCHES AND BURRS.

NOTE THAT 3/16 THICK MATERIAL IS USED IN THIS FORMED DRAWING. OTHER MATERIAL THICKNESSES MAY BE USED BUT SHOULD BE TESTED IN THE CUSTOMER'S APPLICATION. THE TAB BENDING TOOL WOULD HAVE TO BE MODIFIED FOR THE MATERIAL THICKNESS USED. THICKER MATERIAL MAY REQUIRE A LONGER TAB DESIGN.

THIS HOLE PATTERN SHOULD BE USED FROM THE COMPUTER GENERATED GEOMETRY FILE. IF OTHER DIMENSIONS ARE REQUIRED OR A CUTTING PROCESS BESIDES LASER OR PLASMA IS USED, PLEASE CONSULT FACTORY.

US PATENT 7,721,904

TYPICAL FORMED VIEW

NOTICE: THIS DOCUMENT AND ITS CONTENTS ARE THE PROPRIETARY CONFIDENTIAL PROPERTY OF TOMPKINS INDUSTRIES. NO USE OR COPIES MAY BE MADE WITHOUT WRITTEN PERMISSION FROM TOMPKINS IND.		3RD ANGLE PROJECTION	001	FLT-STL 1018 HR	3/16 THICK MATERIAL	
		UNLESS OTHERWISE SPEC. DIMS. IN INCHES. ANSI Y14.5M-1982 STD. TOLERANCES: XX ± .060 XXX ± .030 XXXX ± .010 FRAC. DIM ± 1/22 DEG ± 1'	REQD /DASH NO	ITEM NUMBER	MATERIAL DESCRIPTION	SYM
			TOMPKINS INDUSTRIES 1912 E. 123RD STREET DLATHE, KS 66061 913-764-8088		TITLE 10-INCH CAPTURE TAB HOLE PATTERN	
B ADDED PATENT NUMBER 9-3-10		DRAWING NUMBER: 10HoleOption		DO NOT SCALE		CODE SIZE
A FCD NEW ITEM 6-14-07		DESIGN BY: JAF DATE: 6-14-07		SHEET 1 OF 1		E C
LET.	CHANGE DESCRIPTION	DATE				

4

3

2

1