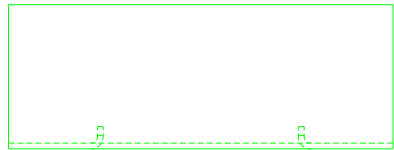
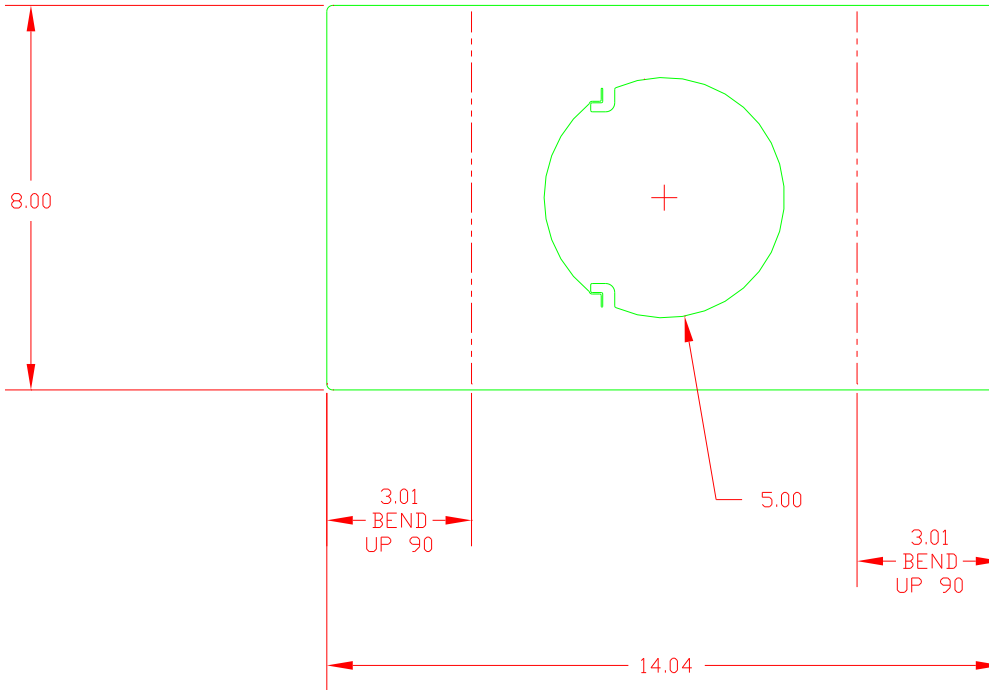


4

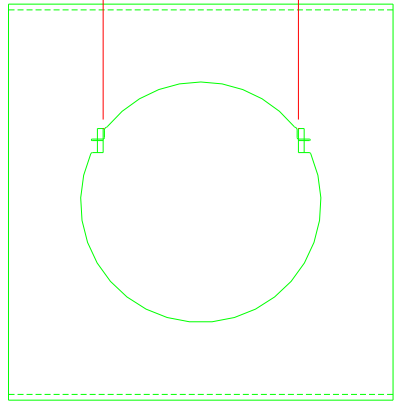
3

2

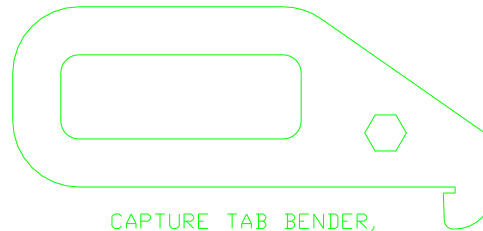
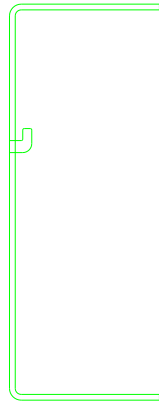
1



4.06
BETWEEN
TABS
AFTER
BENDING



FORMED VIEW



CAPTURE TAB BENDER,
1/4-INCH THICK MATERIAL,
GAP SET FOR 11 GAGE,
SET FOR 2 DEGREE OVER BEND.

US PATENT
7,721,904

NOTICE: THIS DOCUMENT AND ITS CONTENTS ARE THE PROPRIETARY CONFIDENTIAL PROPERTY OF TOMPKINS INDUSTRIES. NO USE OR COPIES MAY BE MADE WITHOUT WRITTEN PERMISSION FROM TOMPKINS IND.		 THIRD ANGLE PROJECTION	001	FLT-STL 1018 HR	11 GAGE X 8.00 X 21.04
UNLESS OTHERWISE SPEC. DIMS. IN INCHES. ANSI Y14.5M-1986 STD. TOLERANCES: XX ± .060 XXX ± .030 XXXX ± .010 FRAC. DIM ± 1/22 DEG ± 1'		TOMPKINS INDUSTRIES 1912 E. 123RD STREET DLATHE, KS 66061 913-764-8088		TITLE 6" COVER DEMO PLATE	
B ADDED PATENT NUMBER 9-3-10		DESIGN BY: JAF		DATE: 2-13-07	
A FCD NEW ITEM 2-13-07		DRAWING NUMBER: 6holeOptions		DO NOT SCALE CODE SIZE SHEET 1 OF 1 E C	
LET.	CHANGE DESCRIPTION	DATE			

4

3

2

1