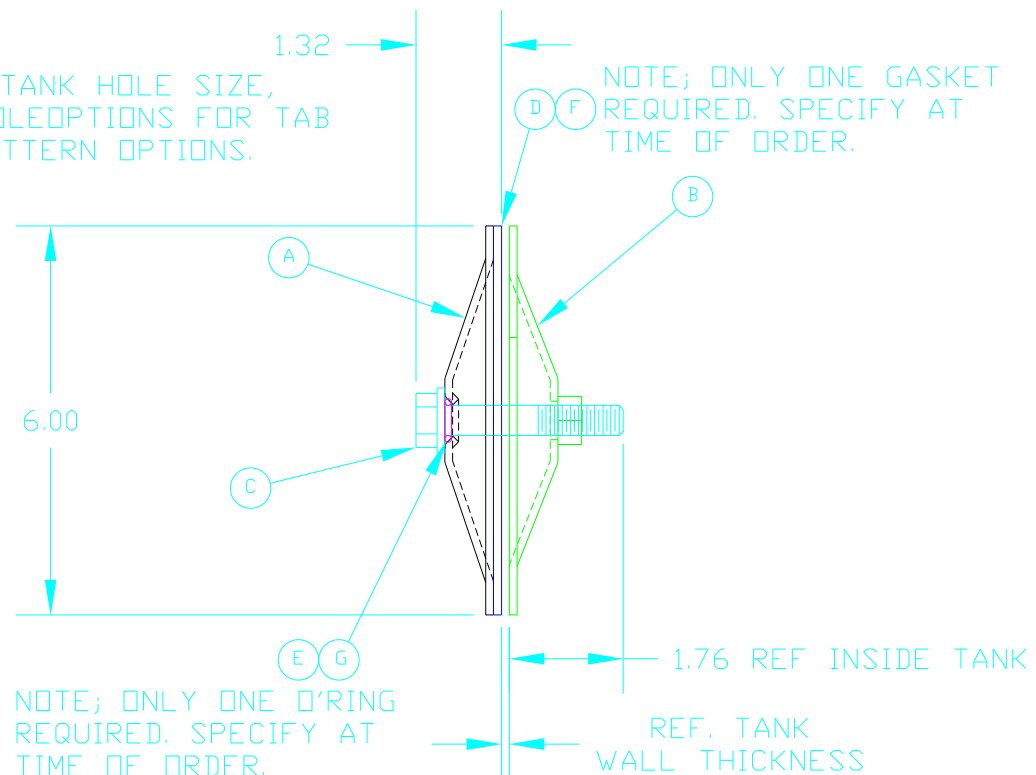


5.00 REF TANK HOLE SIZE,
REF DWG 6HOLEOPTIONS FOR TAB
HOLE PATTERN OPTIONS.



ORDER CODE: FCC-06-XX-XX

UP - UNPAINTED
YZ - YELLOW ZINC

BN - BUNA N RUBBER
SC - HI-TEMP CORK/PAR
CONSULT FACTORY FOR
OTHER GASKET OPTIONS.

US PATENT #7,721,904

NOTE;
ASSEMBLY TORQUE 35 TO 40 FT-LBS.
DO NOT OVER TORQUE. ADD DROP OF
OIL TO O'RING BEFORE ASSEMBLY TO
PREVENT O'RING SCUFFING DAMAGE.

1	4C3935	O'RING AS-111 VITON	G
1	4C4126	6" GASKET - HIGH TEMP	F
1	4C4100	O'RING AS-111 BUNA N	E
1	4C3664	6 INCH GASKET BUNA N	D
1	19M7817	FLANGED BOLT 12MM X 70	C
1	4C4122	6" INNER COVER 12MM	B
1	4C4121	6" OUTER COVER 12MM	A

NOTICE: THIS DOCUMENT AND ITS CONTENTS ARE THE PROPRIETARY CONFIDENTIAL PROPERTY OF TOMPKINS INDUSTRIES. NO USE OR COPIES MAY BE MADE WITHOUT WRITTEN PERMISSION FROM TOMPKINS IND.			3RD ANGLE PROJECTION	REQD /DASH NO	ITEM NUMBER	MATERIAL DESCRIPTION	SYM
UNLESS OTHERWISE SPEC. DIMNS. IN INCHES: ANSI Y14.5M-1982. STD. TOLERANCES: X.X ± .060 X.XX ± .010 FRAC.DIM. ± 1/32 DEG. ± 1°					TOMPKINS INDUSTRIES 1912 E. 123RD STREET OLATHE, KS 66061 913-764-8088	TITLE FCC-6 COVER ASSEMBLY	
C	ADD PATENT NUMBER	9-3-10				DRAWING NUMBER: FCC6	
B	CHG TO 12MM STAMPING	2-3-07					
A	NEW ITEM RELEASE	10-10-00					
LET.	CHANGE DESCRIPTION	DATE	DESIGN BY: JAF	DATE: 10-10-00	DD NOT SCALE	CODE 2	SIZE B
					SHEET 1 OF 1		