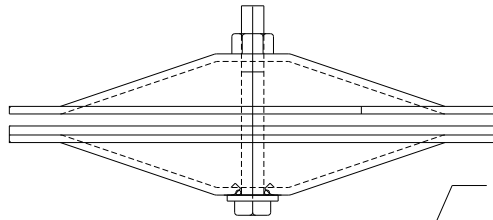


4

3

2

1

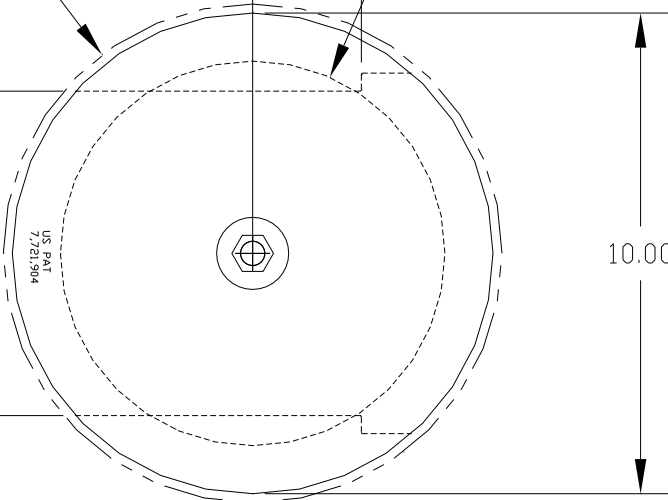


8.00 REF. TANK HOLE SIZE
 REF. DRAWING 10HOLEOPTIONS FOR
 INTERLOCKING SELF-CENTERING TAB DESIGN, OTHER
 TAB DESIGNS AVAILABLE UPON REQUEST.

10.375 BUNA N
 GASKET

2.261

6.750



10.00

ORDER CODE: FCC-10-XX-XX

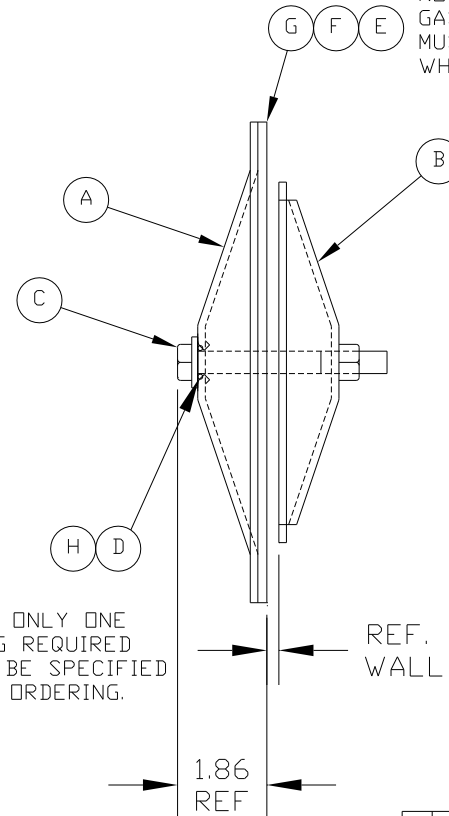
UP - UNPAINTED
 YZ - YELLOW ZINC

CN - CORK/NITRILE
 BN - BUNA N NITRILE
 SC - HIGH TEMP SILICONE/CORK

OTHER OPTIONS AVAILABLE UPON REQUEST.

NOTE;
 ADD DROP OF OIL TO O'RING
 PRIOR TO ASSEMBLY TO
 PREVENT SCUFFING DAMAGE
 TORQUE TO 55 FT-LBS OR 75 N-m.

US PATENT
 7,721,904



NOTE; ONLY ONE
 GASKET REQUIRED
 MUST BE SPECIFIED
 WHEN ORDERING.

REF. TANK
 WALL THK.

1.86
 REF

1	4C4100	O'RING BUNA N AS-111	H
1	4C4031	CORK-BUNA N GASKET	G
1	4C4082	BUNA N GASKET	F
1	4C4030	HIGH TEMP GASKET	E
1	4C3935	O'RING VITON AS-111	D
1	19M7819	12MM X 90MM FLG BOLT	C
1	4C3983	10 INCH INNER COVER M	B
1	4C3982	10 INCH OUTER COVER M	A

NOTICE: THIS DOCUMENT AND ITS CONTENTS ARE THE PROPRIETARY CONFIDENTIAL PROPERTY OF TOMPKINS INDUSTRIES. NO USE OR COPIES MAY BE MADE WITHOUT WRITTEN PERMISSION FROM TOMPKINS IND.			RECD /DASH NO ITEM NUMBER MATERIAL DESCRIPTION SYM
E ADD BUNA O'RING & TAB DIM 1-5-07 D UPDATED BOLT LENGTH/TAB NOTE 9-5-06 C UPDATED GASKET & ORDER CODES 11-7-05 B UPDATE DRAWING FOR PATENT 5-13-03 A FCD NEW ITEM 4-1-02	UNLESS OTHERWISE SPEC. DIMS. IN INCHES ANSI Y14.5M-1982 STD. TOLERANCES: XX ± .060 XXX ± .030 XXXX ± .010 FRAC DIM ± 1/32 DEG ± 1'	TOMPKINS INDUSTRIES 1912 E. 123RD STREET OLAHE, KS 66061 913-764-8088	TITLE FCC-10 COVER ASSY METRIC HARDWARE DRAWING NUMBER FCC10M DO NOT SCALE CODE SIZE SHEET 1 OF 1 E C
L.E.T. CHANGE DESCRIPTION DATE	DESIGN BY: JAF DATE: 4-1-02		

4

3

2

1