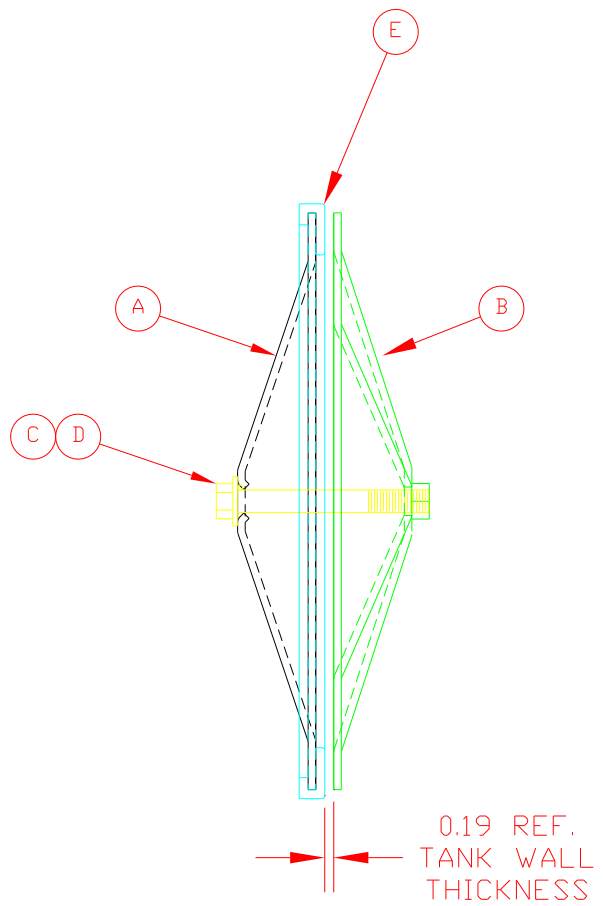
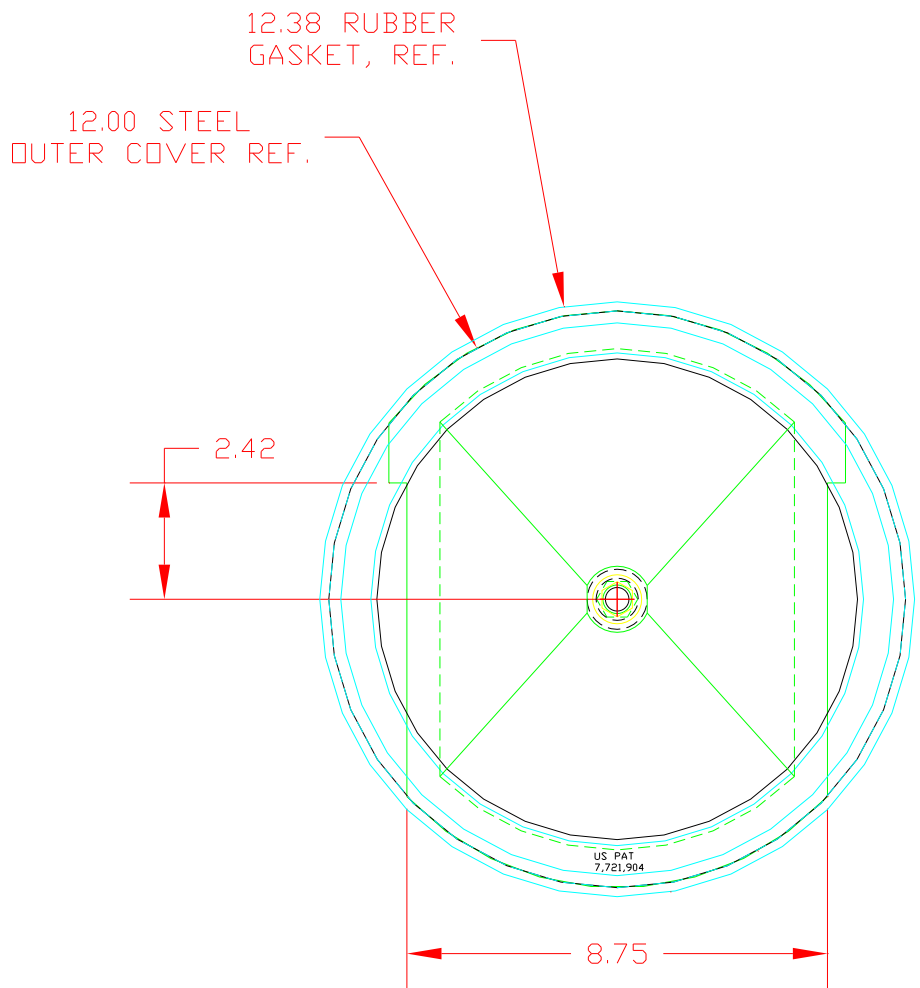


4

3

2

1



ORDER CODE: FCC-12-XX-XX

UP - UNPAINTED
YZ - YELLOW ZINC

BN - BUNA N NITRILE

OTHER OPTIONS AVAILABLE UPON REQUEST.

NOTE;
ADD DROP OF OIL TO O'RING
PRIOR TO ASSEMBLY TO
PREVENT SCUFFING DAMAGE
TORQUE TO 55 FT-LBS OR 75 N-m.

US PATENT
7,721,904

QTY	ITEM NUMBER	MATERIAL DESCRIPTION	SYM
1	4C3720	12 INCH BUNA N GASKET	E
1	4C4100	AS111 BUNA N O'RING	D
1	19M7820	12MM X 100 FLANGE BOLT	C
1	4C4066	12 INCH INNER COVER	B
1	4C4067	12 INCH OUTER COVER	A

LET.	CHANGE DESCRIPTION	DATE	UNLESS OTHERWISE SPEC. DIMS. IN INCHES ANSI Y14.5M-1998 STD. TOLERANCES: XX ± .060 XXX ± .030 XXXX ± .010 FRAC.DIM ± 1/22 DEC. ± 1'	REQD /DASH NO	ITEM NUMBER	MATERIAL DESCRIPTION	SYM	
D	ADD US PATENT NUMBER	9-3-10	TOMPKINS INDUSTRIES 1912 E 123RD STREET DLATHE, KS 66061 913-764-8088 DESIGN BY: JAF DATE: 4-2-06	TITLE		12 INCH COVER ASSEMBLY		
C	ELIMINATED CN & SC GASKET	1-30-08		DRAWING NUMBER		FCC12M		
B	ADD BUNA N O'RING, TAB DIM	1-5-06		DO NOT SCALE	CODE	SIZE		
A	NEW ITEM	4-2-06		SHEET	1	OF	1	E

4

3

2

1