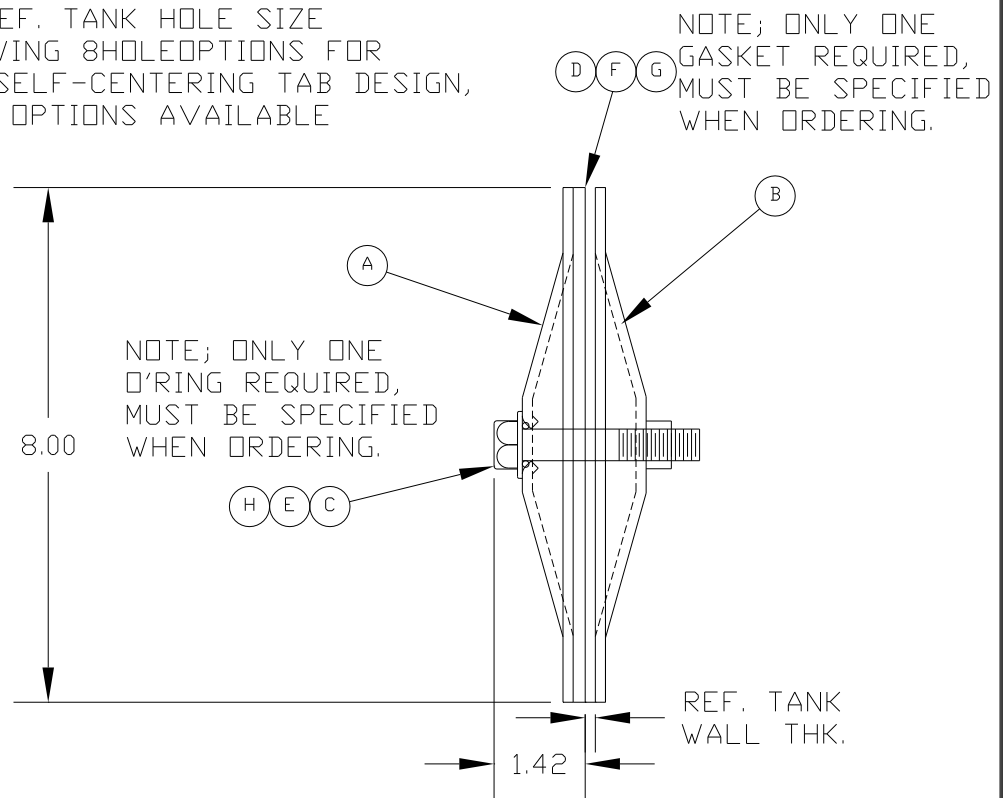


6.00 REF. TANK HOLE SIZE
 REF. DRAWING 8HOLEOPTIONS FOR
 INTERLOCKING SELF-CENTERING TAB DESIGN,
 OTHER OPTIONS AVAILABLE



NOTE; ONLY ONE
 GASKET REQUIRED,
 MUST BE SPECIFIED
 WHEN ORDERING.

NOTE; ONLY ONE
 O-RING REQUIRED,
 MUST BE SPECIFIED
 WHEN ORDERING.

REF. TANK
 WALL THK.

ORDER CODE: FCC-08-XX-XX

UP - UNPAINTED
 YZ - YELLOW ZINC

CN - CORK/NITRILE
 BN - BUNA N NITRILE
 SC - HIGH TEMP SILICONE/CORK

CONSULT FACTORY FOR GASKET AVAILABILITY.

NOTE;
 ADD DROP OF OIL TO O-RING
 PRIOR TO ASSEMBLY TO
 PREVENT SCUFFING DAMAGE
 TORQUE TO 55 FT-LBS. HIGHER
 TORQUES POSSIBLE, CONSULT FACTORY.

US PATENT
 7,721,904

1	4C4100	AS 111 O-RING-NIRILE	H
1	4C4081	8 INCH CORK/BN GASKET	G
1	4C4055	8 INCH HIGH TEMP GASKET	F
1	4C3935	AS 111 O-RING VITON	E
1	4C3641	8 INCH GASKET BUNA N	D
1	19M7817	12MM X 70MM FLANGE BOLT	C
1	4C3947	8" STAMPED INNER COVER	B
1	4C3948	8" STAMPED OUTER COVER	A

NOTICE: THIS DOCUMENT AND ITS CONTENTS ARE THE PROPRIETARY CONFIDENTIAL PROPERTY OF TOMPKINS INDUSTRIES. NO USE OR COPIES MAY BE MADE WITHOUT WRITTEN PERMISSION FROM TOMPKINS IND.			 3RD ANGLE PROJECTION	REQD /DASH NO	ITEM NUMBER	MATERIAL DESCRIPTION	SYM
E	ADDED BUNA N O-RING CALLOUT	1-3-07	UNLESS OTHERWISE SPEC: DIMS. IN INCHES: ANSI Y14.5M-1982 STD. TOLERANCES: XX ± .060 XXX ± .030 XXXX ± .010 FRAC.DIM. ± 1/32 DEG. ± 1°	TOMPKINS INDUSTRIES 1912 E. 123RD STREET OLATHE, KS 66061 913-764-8088		TITLE FCC-8 COVER ASSEMBLY DRAWING NUMBER: FCC8	
D	ADDED GASKETS	10-14-05					
C	12MM & INTEGRAL O-RING DESIGN	7-4-05					
B	UPDATED DRAWING	10-1-04					
A	NEW ITEM RELEASE	10-10-00					
LET:	CHANGE DESCRIPTION	DATE	DESIGN BY: JAF	DATE: 10-10-00	DO NOT SCALE	CODE 2	SIZE B
					SHEET 1 OF 1		