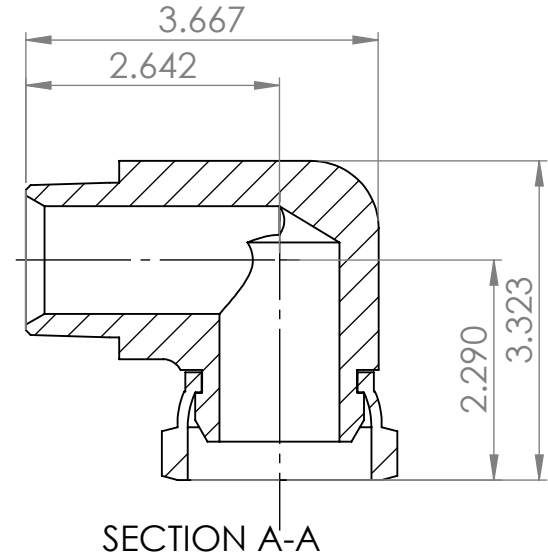
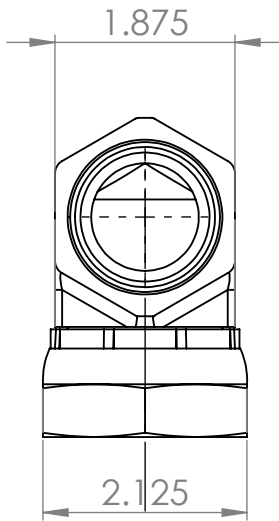


Tompkins[®]

INDUSTRIES, INC.



Thread 1	1 1/4-11 1/2	UNLESS OTHERWISE SPECIFIED: DIMENSIONS ARE IN INCHES TOLERANCES: FRACTIONAL ± ANGULAR: MACH ± BEND ± TWO PLACE DECIMAL ± THREE PLACE DECIMAL ±	NAME	DATE
Thread 2	1 1/2-11 1/2		DRAWN	ASW 3/20/2024
Material	Carbon Steel		CHECKED	
Oring Material	N/A		ENG APPR.	
		INTERPRET GEOMETRIC TOLERANCING PER:	MFG APPR.	
		MATERIAL	Q.A.	
		Carbon Steel	COMMENTS:	
		FINISH		
NEXT ASSY	USED ON			
APPLICATION		DO NOT SCALE DRAWING		

<https://www.tompkinsind.com/products>

TITLE:		
MP x FPX 90°		
SIZE	DWG. NO.	REV
A	1501-20-24	
SCALE: 1:2	WEIGHT: 2.066	SHEET 1 OF 1

PROPRIETARY AND CONFIDENTIAL
THE INFORMATION CONTAINED IN THIS DRAWING IS THE SOLE PROPERTY OF Tompkins Industries, INC. ANY REPRODUCTION IN PART OR AS A WHOLE WITHOUT THE WRITTEN PERMISSION OF Tompkins Industries, INC IS PROHIBITED.