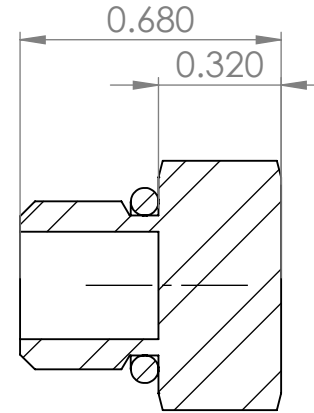
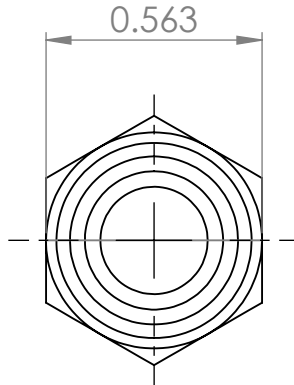


Tompkins[®]

INDUSTRIES, INC.



SECTION A-A

Thread 1	7/16-20	UNLESS OTHERWISE SPECIFIED: DIMENSIONS ARE IN INCHES TOLERANCES: FRACTIONAL ± ANGULAR: MACH ± BEND ± TWO PLACE DECIMAL ± THREE PLACE DECIMAL ±	NAME	DATE	https://www.tompkinsind.com/products
Thread 2	N/A		DRAWN	ASW 3/28/2024	
Material	Carbon Steel		CHECKED		
Oring Material	90 Duro Buna-N		ENG APPR.		
		INTERPRET GEOMETRIC TOLERANCING PER:	MFG APPR.		TITLE: MORB PLUG
		MATERIAL Carbon Steel	Q.A.		
		FINISH	COMMENTS:		SIZE
NEXT ASSY	USED ON				DWG. NO.
APPLICATION		DO NOT SCALE DRAWING			A
					6408-04
					REV
					SCALE: 2:1
					WEIGHT: 0.024
					SHEET 1 OF 1

PROPRIETARY AND CONFIDENTIAL
THE INFORMATION CONTAINED IN THIS DRAWING IS THE SOLE PROPERTY OF Tompkins Industries, INC. ANY REPRODUCTION IN PART OR AS A WHOLE WITHOUT THE WRITTEN PERMISSION OF Tompkins Industries, INC IS PROHIBITED.

B

B

A

A

2

1

2

1